



ANSI/ASSE Z359.11-2014

PROTECTA PRO 3 FULL BODY HARNESS



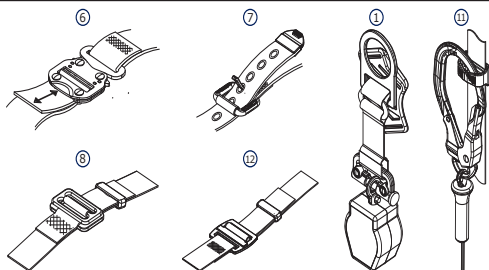
USER INSTRUCTION MANUAL

Fall Protection

				1																
				①	②	③	④	⑤	⑥	⑦	⑧	⑨	⑩							
				SM	MED	LG	XL	2XL	3XL	Personal SRD Loop	Dorsal	Sternal	Hip	Shoulder	Quick Connect	Tongue Buckle	Pass-Thru	Belt & Hip Pad	Shoulder Pads	
				Models	Size				Attachment Elements				Buckles			Belt & Pads				
1161200 - 1161203				1161200	✓						✓	✓	✓	✓	✓	✓	✓	✓	✓	✓
1161204 - 1161208				1161201		✓	✓				✓	✓	✓	✓	✓	✓	✓	✓	✓	✓
1161209 - 1161211				1161202				✓			✓	✓	✓	✓	✓	✓	✓	✓	✓	✓
				1161203				✓			✓	✓	✓	✓	✓	✓	✓	✓	✓	✓
				1161204	✓						✓	✓	✓	✓		✓	✓	✓	✓	✓
				1161205		✓	✓				✓	✓	✓	✓		✓	✓	✓	✓	✓
				1161206		✓	✓				✓	✓	✓	✓		✓	✓	✓	✓	✓
				1161207				✓			✓	✓	✓	✓		✓	✓	✓	✓	✓
				1161208				✓			✓	✓	✓	✓		✓	✓	✓	✓	✓
				1161209	✓						✓	✓	✓	✓			✓	✓	✓	✓
				1161210		✓	✓				✓	✓	✓	✓		✓	✓	✓	✓	✓
				1161211				✓			✓	✓	✓	✓			✓	✓	✓	✓
				1161216	✓						✓	✓	✓	✓		✓	✓	✓	✓	✓
				1161218				✓			✓	✓	✓	✓		✓	✓	✓	✓	✓
				1161219				✓			✓	✓	✓	✓		✓	✓	✓	✓	✓
				1161220	✓						✓	✓	✓	✓		✓	✓	✓	✓	✓
				1161221		✓	✓				✓	✓	✓	✓		✓	✓	✓	✓	✓
				1161222				✓			✓	✓	✓	✓		✓	✓	✓	✓	✓
				1161223	✓						✓	✓	✓	✓		✓	✓	✓	✓	✓
				1161224		✓	✓				✓	✓	✓	✓		✓	✓	✓	✓	✓
				1161225				✓			✓	✓	✓	✓		✓	✓	✓	✓	✓
				1161226	✓						✓	✓	✓	✓		✓	✓	✓	✓	✓
				1161227		✓	✓				✓	✓	✓	✓		✓	✓	✓	✓	✓
				1161228				✓			✓	✓	✓	✓		✓	✓	✓	✓	✓
				1161300	✓						✓	✓	✓	✓		✓	✓	✓	✓	✓
				1161301		✓	✓				✓	✓	✓	✓		✓	✓	✓	✓	✓
				1161302				✓			✓	✓	✓	✓		✓	✓	✓	✓	✓
				1161303				✓			✓	✓	✓	✓		✓	✓	✓	✓	✓
				1161304	✓						✓	✓	✓	✓			✓	✓	✓	✓
				1161305		✓	✓				✓	✓	✓	✓			✓	✓	✓	✓
				1161306				✓			✓	✓	✓	✓		✓	✓	✓	✓	✓
				1161307				✓			✓	✓	✓	✓		✓	✓	✓	✓	✓
				1161308	✓						✓	✓	✓	✓		✓	✓	✓	✓	✓
				1161309		✓	✓				✓	✓	✓	✓		✓	✓	✓	✓	✓
				1161310				✓			✓	✓	✓	✓		✓	✓	✓	✓	✓
				1161311				✓			✓	✓	✓	✓		✓	✓	✓	✓	✓
				1161312	✓						✓	✓	✓	✓		✓	✓	✓	✓	✓
				1161313		✓	✓				✓	✓	✓	✓		✓	✓	✓	✓	✓
				1161314				✓			✓	✓	✓	✓		✓	✓	✓	✓	✓

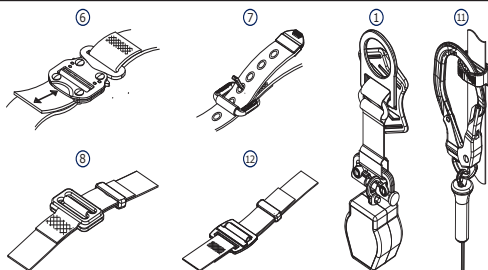
See back pages for additional models covered by this Instruction Manual.





Models	Size	Attachment Elements	Buckles	Belt & Pads
1161308 - 1161314				
1161315 - 1161317				
1161400 - 1161403				
1161404 - 1161406				
1161410 - 1161412				
1161413 - 1161416				
1161417 - 1161419				
1161420 - 1161422				
1161423 - 1161425				
1161426 - 1161428				
1161429 - 1161432				
1161433 - 1161435				
1161436 - 1161438				
1161439 - 1161441				
1161442 - 1161444				
1161444				
1161500				
1161501				
1161502				
1161503				
1161504				
1161505				
1161506				
1161507				
1161508				

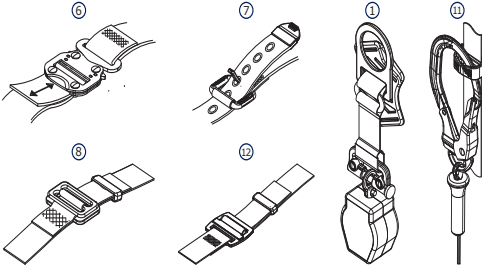
	SM	MED	LG	XL	2XL	3XL	Personal SRD Loop	Dorsal	Sternal	Hip	Shoulder	Quick Connect	Tongue Buckle	Pass-Thru	Belt & Hip Pad	Shoulder Pads
1161315	✓							✓	✓			✓	✓		✓	✓
1161316		✓	✓					✓	✓			✓	✓		✓	✓
1161317				✓				✓	✓			✓	✓		✓	✓
1161400	✓							✓	✓			✓	✓		✓	✓
1161401		✓	✓					✓	✓			✓	✓		✓	✓
1161402				✓				✓	✓			✓	✓		✓	✓
1161403					✓			✓	✓			✓	✓		✓	✓
1161404	✓							✓	✓			✓	✓		✓	✓
1161405	✓	✓						✓	✓			✓	✓		✓	✓
1161406			✓					✓	✓			✓	✓		✓	✓
1161410	✓							✓	✓			✓	✓		✓	✓
1161411	✓	✓						✓	✓			✓	✓		✓	✓
1161412				✓				✓	✓			✓	✓		✓	✓
1161413	✓							✓	✓			✓	✓		✓	✓
1161414	✓	✓						✓	✓			✓	✓		✓	✓
1161415			✓					✓	✓			✓	✓		✓	✓
1161416				✓				✓	✓			✓	✓		✓	✓
1161417	✓							✓	✓			✓	✓		✓	✓
1161418	✓	✓						✓	✓			✓	✓		✓	✓
1161419			✓					✓	✓			✓	✓		✓	✓
1161420	✓							✓	✓			✓	✓		✓	✓
1161421	✓	✓						✓	✓			✓	✓		✓	✓
1161422			✓					✓	✓			✓	✓		✓	✓
1161423	✓							✓	✓			✓	✓		✓	✓
1161424	✓	✓						✓	✓			✓	✓		✓	✓
1161425			✓					✓	✓			✓	✓		✓	✓
1161426	✓	✓						✓	✓			✓	✓		✓	✓
1161427	✓	✓						✓	✓			✓	✓		✓	✓
1161428			✓					✓	✓			✓	✓		✓	✓
1161429	✓							✓	✓			✓	✓		✓	✓
1161430	✓	✓						✓	✓			✓	✓		✓	✓
1161431			✓					✓	✓			✓	✓		✓	✓
1161432				✓				✓	✓			✓	✓		✓	✓
1161433								✓	✓			✓	✓		✓	✓
1161434	✓	✓						✓	✓			✓	✓		✓	✓
1161435			✓					✓	✓			✓	✓		✓	✓
1161436	✓							✓	✓	✓		✓	✓		✓	✓
1161437	✓	✓						✓	✓	✓		✓	✓		✓	✓
1161438			✓					✓	✓	✓		✓	✓		✓	✓
1161439	✓	✓						✓	✓	✓		✓	✓		✓	✓
1161440	✓	✓						✓	✓	✓		✓	✓		✓	✓
1161441			✓					✓	✓	✓		✓	✓		✓	✓
1161442	✓							✓	✓	✓		✓	✓		✓	✓
1161443	✓	✓						✓	✓	✓		✓	✓		✓	✓
1161444			✓					✓	✓	✓		✓	✓		✓	✓
1161500								✓	✓	✓		✓	✓		✓	✓
1161501	✓							✓	✓	✓		✓	✓		✓	✓
1161502		✓	✓					✓	✓	✓		✓	✓		✓	✓
1161503				✓				✓	✓	✓		✓	✓		✓	✓
1161504					✓			✓	✓	✓		✓	✓		✓	✓
1161505						✓		✓	✓	✓		✓	✓		✓	✓
1161506	✓							✓	✓	✓		✓	✓		✓	✓
1161507		✓	✓					✓	✓	✓		✓	✓		✓	✓
1161508				✓				✓	✓	✓		✓	✓		✓	✓



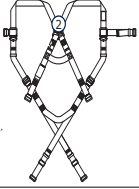
	①	②	③	④	⑤	⑥	⑦	⑧	⑨	⑩
SM										
MED										
LG										
XL										
2XL										
3XL										
Personal SRD Loop										
Dorsal										
Sternal										
Hip										
Shoulder										
Quick Connect										
Tongue Buckle										
Pass-Thru										
Belt & Hip Pad										
Shoulder Pads										

Models	Size	Attachment Elements	Buckles	Belt & Pads
1161500 - 1161505				
1161506 - 1161509				
1161510 - 1161516				
1161517 - 1161519				
1161520 - 1161523				
1161524 - 1161530				
1161531 - 1161540				
1161541 - 1161552				
1161553 - 1161555				
1161556 - 1161558				
1161559 - 1161565				
1161566 - 1161569				
1161570 - 1161575				
1161576 - 1161580				
1161581 - 1161585				
1161586 - 1161590				
1161591 - 1161595				
1161596 - 1161600				
1161601 - 1161605				
1161606 - 1161610				
1161611 - 1161615				
1161616 - 1161620				
1161621 - 1161625				
1161626 - 1161630				
1161631 - 1161635				
1161636 - 1161640				
1161641 - 1161645				
1161646 - 1161650				
1161651 - 1161655				
1161656 - 1161660				
1161661 - 1161665				
1161666 - 1161670				
1161671 - 1161675				
1161676 - 1161680				
1161681 - 1161685				
1161686 - 1161690				
1161691 - 1161695				
1161696 - 1161700				
1161701 - 1161705				
1161706 - 1161710				
1161711 - 1161715				
1161716 - 1161720				
1161721 - 1161725				
1161726 - 1161730				
1161731 - 1161735				
1161736 - 1161740				
1161741 - 1161745				
1161746 - 1161750				
1161751 - 1161755				
1161756 - 1161760				
1161761 - 1161765				
1161766 - 1161770				
1161771 - 1161775				
1161776 - 1161780				
1161781 - 1161785				
1161786 - 1161790				
1161791 - 1161795				
1161796 - 1161800				
1161801 - 1161805				
1161806 - 1161810				
1161811 - 1161815				
1161816 - 1161820				
1161821 - 1161825				
1161826 - 1161830				
1161831 - 1161835				
1161836 - 1161840				
1161841 - 1161845				
1161846 - 1161850				
1161851 - 1161855				
1161856 - 1161860				
1161861 - 1161865				
1161866 - 1161870				
1161871 - 1161875				
1161876 - 1161880				
1161881 - 1161885				
1161886 - 1161890				
1161891 - 1161895				
1161896 - 1161900				
1161901 - 1161905				
1161906 - 1161910				
1161911 - 1161915				
1161916 - 1161920				
1161921 - 1161925				
1161926 - 1161930				
1161931 - 1161935				
1161936 - 1161940				
1161941 - 1161945				
1161946 - 1161950				
1161951 - 1161955				
1161956 - 1161960				
1161961 - 1161965				
1161966 - 1161970				
1161971 - 1161975				
1161976 - 1161980				
1161981 - 1161985				
1161986 - 1161990				
1161991 - 1161995				
1161996 - 1162000				



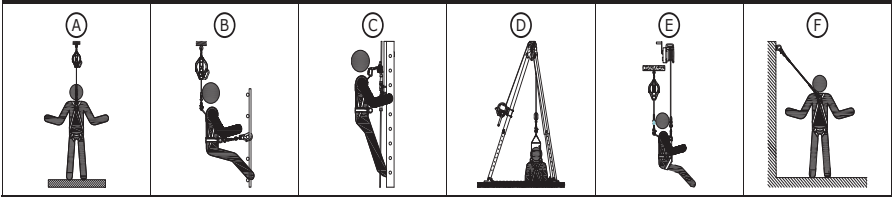


1161570 - 1161579



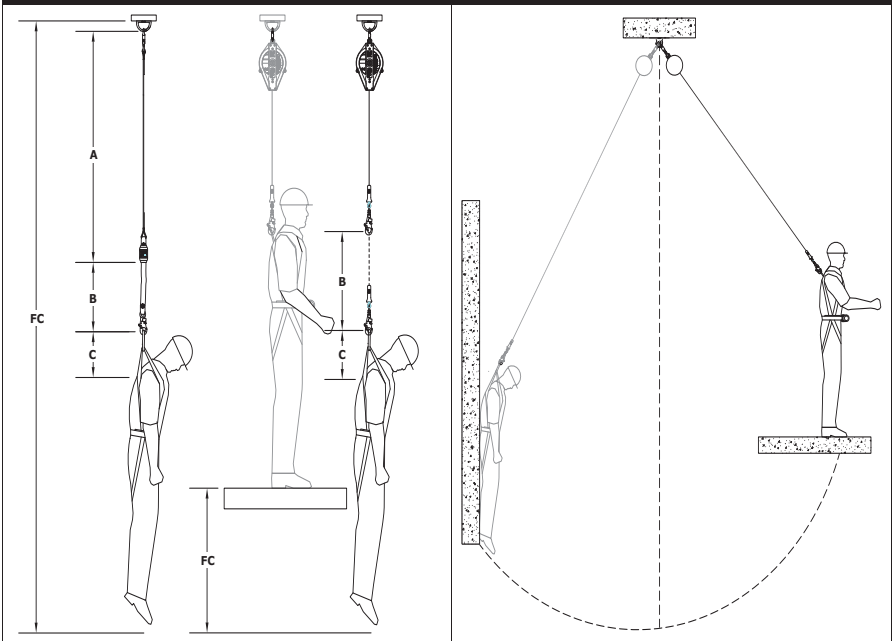
Models	Size					Attachment Elements				Buckles		Belt & Pads				
	SM	MED	LG	XL	2XL	3XL	Personal SRD Loop	Dorsal	Sternal	Hip	Shoulder	Quick Connect	Tongue Buckle	Pass-Thru	Belt & Hip Pad	Shoulder Pads
1161568				√			√		√		√					
1161569				√			√		√		√					
1161570	√						√							√		
1161571		√	√				√							√		
1161572				√			√							√		
1161573					√		√							√		
1161576	√						√							√		
1161577		√	√				√							√		
1161578				√			√							√		
1161579					√		√							√		

2



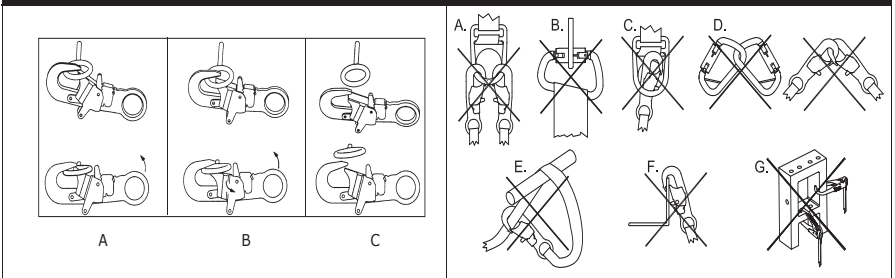
3

4

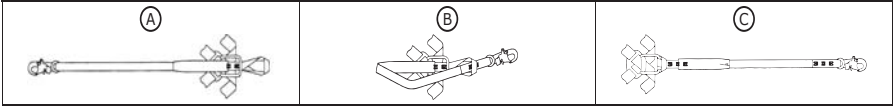


5

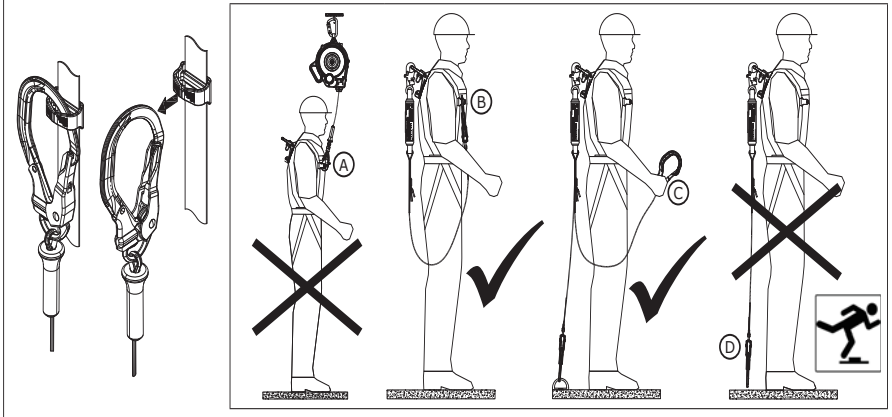
6



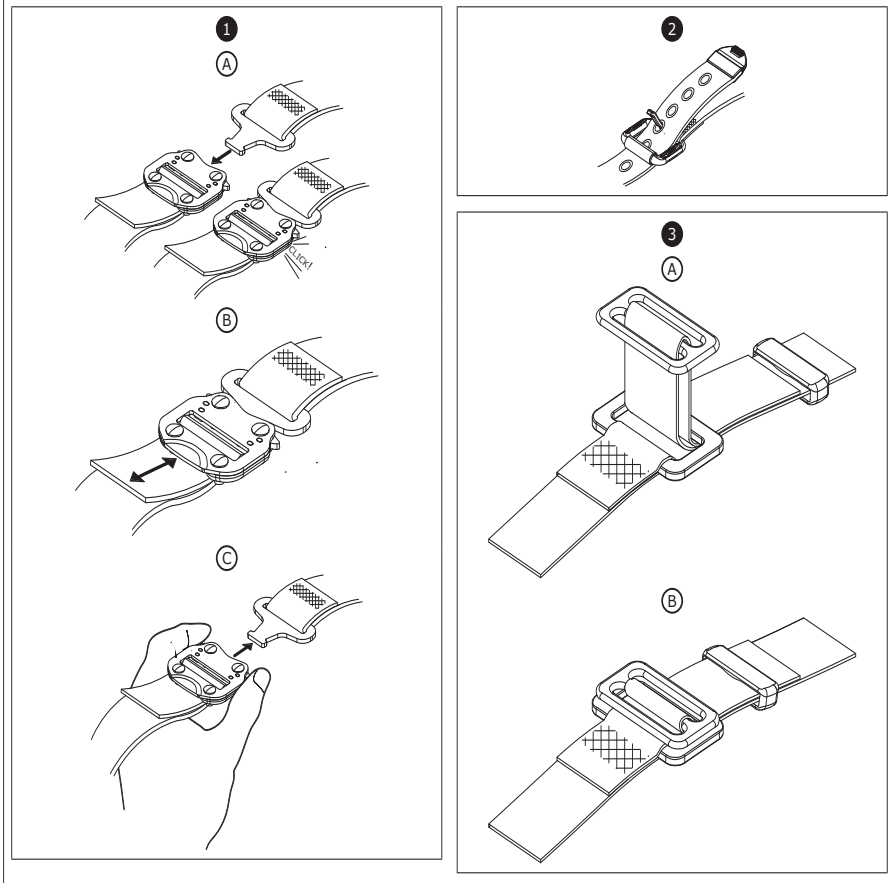
7

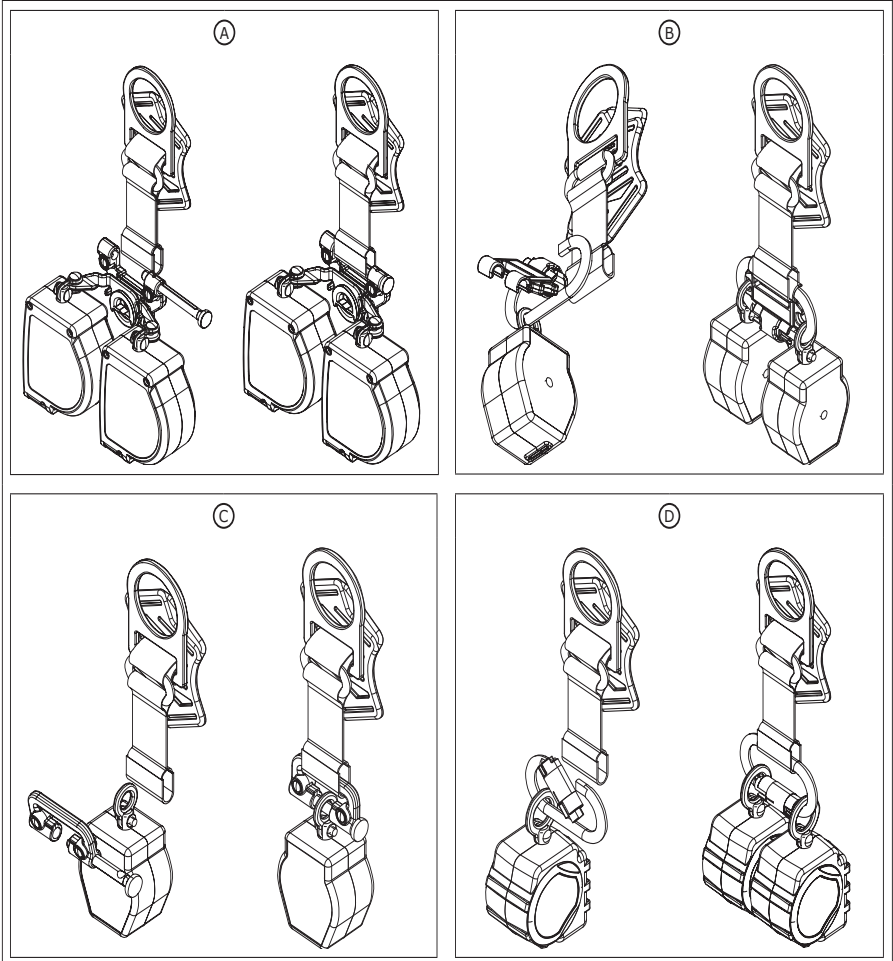
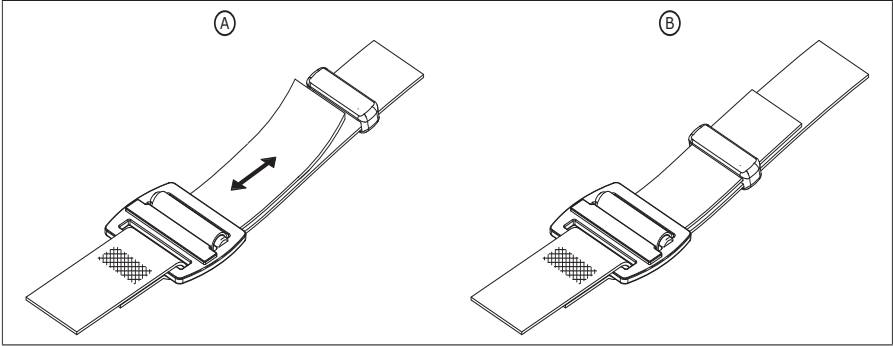


8



9





1



2



3



4

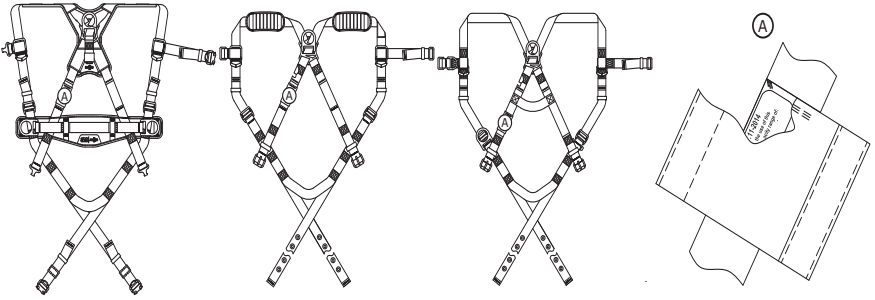


5



6





9512810 Rev. B

ANSI Z359.11-2014
 ANSI Z359 Recognizes the use of this harness only within the capacity range of:
130-310 lbs.
Model No.: Mfrd._(yr/mo): Lot: Size: Stds:

PRODUCT COMPLIANCE	DO NOT REMOVE THIS LABEL
This product complies with the following standards only if marked with the corresponding letter code under the "Stds" section.	
A = ANSI Z359.1	D = ASTM F887
B = OSHA	E = ANSI Z359.3
C = ANSI A10.32	F = ANSI Z359.4
	G = ANSI Z359.11

USER IDENTIFICATION
 Mark label with permanent marker _____

Inspection Log

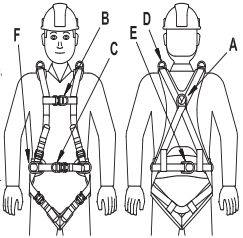
Serial No.: XXXXXXX

Initials						
Date						

DO NOT REMOVE THIS LABEL

9512809 Rev. C

- A - Dorsal attachment element is for fall arrest, travel restraint, or rescue.
- B - Sternum attachment element is for fall arrest (free fall falls only, 2 ft, maximum free fall), travel restraint, or rescue.
- C - Frontal attachment element is for fall arrest (free fall falls only, 2 ft, maximum free fall), work positioning, travel restraint, or rescue.
- D - Shoulder attachment elements are for rescue or entanglement.
- E - Waist, rear attachment element is for travel restraint.
- F - Hip attachment elements are for work positioning or travel restraint.



WARNING

Manufacturer's instructions must be read and understood prior to use. Instructions supplied with this product at time of shipment must be followed. Failure to do so could result in serious injury or death. Contact Capital Safety if instruction sheet is needed. Inspect before each use. Do not use if wear or damage is present. This body harness is intended to be used to arrest the most severe free falls. Items subjected to fall arrest or impact forces must be immediately removed from service and destroyed. Connecting snap and d-ring must be compatible in size, shape, and strength. This item is not flame or heat resistant. Repairs only to be performed by Capital Safety. Equipment modification or misuse voids warranty.

9504781 Rev. E



Full Body Harness
 Material: Polyester Webbing
 ANSI Capacity: 130-310 lbs.
 OSHA Capacity: 420 lbs.

DO NOT REMOVE LABEL

WARNING

Do not exceed the capacity of this or other system components. Capacity is the combined weight for which the component is designed to be used. Combined weight includes the user's body weight, clothing, tools, and any objects carried. Contact Capital Safety for more information.

SAFETY INFORMATION

Please read, understand, and follow all safety information contained in these instructions prior to the use of this Full Body Harness. FAILURE TO DO SO COULD RESULT IN SERIOUS INJURY OR DEATH.

These instructions must be provided to the user of this equipment. Retain these instructions for future reference.

Intended Use:

This Full Body Harness is intended for use as part of a complete personal fall protection system.

Use in any other application including, but not limited to, material handling, recreational or sports related activities, or other activities not described in the User Instructions, is not approved by 3M and could result in serious injury or death.

This device is only to be used by trained users in workplace applications.

WARNING

This Full Body Harness is part of a personal fall protection system. It is expected that all users be fully trained in the safe installation and operation of their personal fall protection system. **Misuse of this device could result in serious injury or death.** For proper selection, operation, installation, maintenance, and service, refer to these User Instructions and all manufacturer recommendations, see your supervisor, or contact 3M Technical Service.

- **To reduce the risks associated with working with a Full Body Harness which, if not avoided, could result in serious injury or death:**
 - Inspect the device before each use, at least annually, and after any fall event. Inspect in accordance with the User Instructions.
 - If inspection reveals an unsafe or defective condition, remove the device from service and destroy it.
 - Any device that has been subject to fall arrest or impact force must be immediately removed from service and destroyed.
 - Ensure the harness is worn correctly, appropriately sized, and properly adjusted.
 - Ensure all connecting subsystems (e.g. lanyards) are kept free from all hazards including, but not limited to, entanglement with other workers, yourself, moving machinery, or other surrounding objects.
 - Ensure that fall protection systems/subsystems assembled from components made by different manufacturers are compatible and meet the requirements of applicable standards, including the ANSI Z359 or other applicable fall protection codes, standards, or requirements. Always consult a Competent or Qualified Person before using these systems.
- **To reduce the risks associated with working at height which, if not avoided, could result in serious injury or death:**
 - Ensure your health and physical condition allow you to safely withstand all of the forces associated with working at height. Consult with your doctor if you have any questions regarding your ability to use this equipment.
 - Never exceed allowable capacity of your fall protection equipment.
 - Never exceed maximum free fall distance of your fall protection equipment.
 - Do not use any fall protection equipment that fails pre-use or other scheduled inspections, or if you have concerns about the use or suitability of the equipment for your application. Contact 3M Technical Services with any questions.
 - Some subsystem and component combinations may interfere with the operation of this equipment. Only use compatible connections. Consult 3M prior to using this equipment in combination with components or subsystems other than those described in the User Instructions.
 - Use extra precautions when working around moving machinery (e.g. top drive of oil rigs), electrical hazards, extreme temperatures, chemical hazards, explosive or toxic gases, sharp edges, or below overhead materials that could fall onto you or your fall protection equipment.
 - Use Arc Flash or Hot Works devices when working in high heat environments.
 - Avoid surfaces and objects that can damage the user or equipment.
 - Ensure there is adequate fall clearance when working at height.
 - Never modify or alter your fall protection equipment. Only 3M or parties authorized in writing by 3M may make repairs to the equipment.
 - Prior to use of fall protection equipment, ensure a rescue plan is in place which allows for prompt rescue if a fall event occurs.
 - If a fall event occurs, immediately seek medical attention for the worker who has fallen.
 - Do not use a body belt for fall arrest applications. Use only a Full Body Harness.
 - Minimize swing falls by working as directly below the anchorage point as possible.
 - If training with this device, a secondary fall protection system must be utilized in a manner that does not expose the trainee to an unintended fall hazard.
 - Always wear appropriate personal protective equipment when installing, using, or inspecting the device/system.

Before using this equipment, record the product identification information from the ID label in the "Inspection and Maintenance Log" at the back of this manual.

DESCRIPTION

Figure 1 defines available Protecta Pro 3™ Full Body Harness models. Harness models are available with various combinations of the following features:

	Figure 1 Reference:	Description:
Sizes	SM, MED, LG, XL, 2XL, 3XL	Small, Medium, Large, Extra Large, Extra Extra Large, Extra Extra Extra Large
Attachment Elements	①	Personal SRD Loop
	②	Dorsal D-Ring (√) or Dorsal Web Loop (◇)
	③	Sternal D-Ring
	④	Hip D-Rings
	⑤	Shoulder D-Rings
Buckles	⑥	Quick Connect Buckles
	⑦	Tongue Buckles
	⑧	Pass-Thru Buckles
Belt	⑨	Belt & Hip Pad
	⑩	Shoulder Pad
Additional Features	⑪	Break-Away Auto-Reset Lanyard Keepers
	⑫	Parachute Torso Adjusters

SPECIFICATIONS

Performance:	
Maximum Free Fall Distance	1.8 m (6 ft)
Maximum Arresting Force	6 kN (1,349 lbs)
Capacity	140 kg (310 lbs)

Materials:	
Webbing	Polyester - 27 kN (6,000 lbs) Tensile Strength Nylon - 31 kN (7,000 lbs) Tensile Strength
Pad Covers	Blend of Nylon and Polyester
Label Cover	Blend of Nylon and Polyester
Thread	Polyester Thread on Polyester Webbing Nylon Thread on Nylon Webbing
D-Rings	Alloy Steel - 22 kN (5,000 lbs) Tensile Strength
Quick Connect Buckles	Steel, Stainless Steel, and Alloy Steel - 18 kN (4,000 lbs) Tensile Strength
Tongue Buckles	Steel and Alloy Steel - 18 kN (4,000 lbs) Tensile Strength
Pass-Through Buckles	Alloy Steel - 18 kN (4,000 lbs) Tensile Strength
Parachute Torso Adjusters	Alloy Steel - 18 kN (4,000 lbs) Tensile Strength

1.0 APPLICATIONS

- 1.1 PURPOSE:** Full Body Harnesses are to be used as components in Personal Fall Protection System designed to prevent a fall or safely arrest a fall (see Figure 2). Full Body Harnesses are used in the following applications:

A	<p>Fall Arrest: Personal fall arrest systems typically include a Full Body Harness and a connecting subsystem (Energy Absorbing Lanyard, Self-Retracting Device, etc.). Maximum arresting force must not exceed 1,800 lbs (8 kN).</p> <p><i>Attachment Elements:</i> Dorsal (feet first with a 2 ft. maximum free fall when using a Self-Retracting Device or 6 ft. maximum free fall when using an Energy Absorbing Lanyard), Sternal (feet first with a 2 ft. maximum free fall), Frontal (feet first with a 2 ft. maximum free fall).</p>
B	<p>Work Positioning: Work positioning systems typically include a Full Body Harness, positioning lanyard, and a back-up personal fall arrest system. For work positioning applications, connect the work positioning subsystem (example: lanyard, Y-lanyard, etc.) to the lower (hip level) side or belt mounted work positioning attachment anchorage elements (D-Rings). Never use these connection points for fall arrest.</p> <p><i>Attachment Elements:</i> Frontal, Hip.</p>
C	<p>Climbing: The Full Body Harness is used as a component of a climbing system to prevent the user from falling when climbing a ladder or other climbing structure. Climbing systems typically include a Full Body Harness, vertical cable or rail attached to the structure, and climbing sleeve. For ladder climbing applications, harnesses equipped with a frontal D-Ring in the sternal location may be used for fall arrest on fixed ladder climbing systems.</p> <p><i>Attachment Elements:</i> Sternal</p>
D	<p>Rescue: The Full Body Harness is used as a component of a rescue system. Rescue systems are configured depending on the type of rescue. For limited access (confined space) applications, harnesses equipped with D-Rings on the shoulders may be used for entry and egress into confined spaces where worker profile is an issue.</p> <p><i>Attachment Elements:</i> Dorsal, Sternal, Frontal, Shoulder</p>
E	<p>Controlled Descent: For controlled descent applications, harnesses equipped with a single sternal level D-Ring, one or two frontal mounted D-Rings, or a pair of connectors originating below the waist (such as a seat sling) may be used for connection to a descent or evacuation system.</p> <p><i>Attachment Elements:</i> Dorsal, Sternal, Frontal</p>
F	<p>Restraint: The Full Body Harness is used as a component of a restraint system to prevent the user from reaching a fall hazard. Restraint systems typically include a Full Body Harness and a lanyard or restraint line.</p> <p><i>Attachment Elements:</i> Dorsal, Sternal, Frontal, Hip</p>
<input checked="" type="checkbox"/>	<p>Certain application and work conditions require the use of Full Body Harnesses with specific attributes:</p> <ul style="list-style-type: none"> • Full body harnesses with Kevlar web should be used when working with tools, materials, or environments of high temperature (foundries, chemical manufacturing, steel fabrication, emergency rescue services, fire services, welders, oil industry, nuclear industry, explosives). • Harnesses with PVC coated hardware should be used when working in explosive or electrically conductive environments, or where surfaces must be protected from the hardware. • Harnesses with high visibility webbing should be used when increased visibility of the user is required.

- 1.2 STANDARDS:** Harnesses included in this manual conform to the standard(s) identified on the cover of this instruction.

- 1.3 TRAINING:** It is the responsibility of the user and the purchaser of this equipment to assure that they are familiar with these instructions, trained in the correct care and use of, and are aware of the operating characteristics, application limits, and the consequences of improper use of this equipment.

- 1.4 LIMITATIONS:** Always consider the following application limitations before using this equipment:

- **CAPACITY:** The Full Body Harness is designed for use by persons with a combined weight (clothing, tools, etc.) ranging from 130 lbs (59 kg) to 310 lbs (140 kg)¹. Make sure all of the components in your system are rated to a capacity appropriate to your application.
- **FREE FALL:** Personal fall arrest systems used with this equipment must be rigged to limit the free fall to 6 feet (1.8 m)². Restraint systems must be rigged so that no vertical free fall is possible. Work positioning systems must be rigged so that free fall is limited to 2 feet (.6 m) or less. Personnel riding systems must be rigged so that no vertical free fall is possible. Climbing systems must be rigged so that free fall is limited to 18 in. (.46 cm) or less. Rescue systems must be rigged so that no vertical free fall is possible. See subsystem manufacturer's instructions for more information.
- **FALL CLEARANCE:** Figure 3 illustrates the components of a Fall Arrest. There must be sufficient Fall Clearance (FC) to arrest a fall before the user strikes the ground or other obstruction. Clearance is affected by a number of factors including: (A) Lanyard Length, (B) Lanyard Deceleration Distance or SRL Maximum Arrest Distance, (C) Harness Stretch and D-Ring/Connector Length and Settling (typically a Safety Factor of 1.5 ft). Refer to the instructions included with your Lanyard or Self-Retracting Device for specifics regarding Fall Clearance calculation.
- **SWING FALLS:** Swing Falls occur when the anchorage point is not directly above the point where a fall occurs (see Figure 4). The force of striking an object in a swing fall may cause serious injury or death. Minimize swing falls by working as directly below the anchorage point as possible. Do not permit a swing fall if injury could occur. Swing falls will significantly increase the clearance required when a Self-Retracting Device or other variable length connecting subsystem is used.
- **EXTENDED SUSPENSION:** A Full Body Harness is not intended for use in extended suspension applications. If the user is going to be suspended for an extended length of time it is recommended that some form of seat support be used. 3M recommends a seat board, suspension work seat, seat sling, or a boatswain chair. Contact 3M for more information on these items.
- **ENVIRONMENTAL HAZARDS:** Use of this equipment in areas with environmental hazards may require additional precautions to prevent injury to the user or damage to the equipment. Hazards may include, but are not limited to; heat, chemicals, corrosive environments, high voltage power lines, gases, moving machinery, and sharp edges. Although PVC coated and zinc plated hardware exhibit excellent corrosion resistance in chemical, acidic, alkaline, and atmospheric conditions, frequent inspections may be required. Consult with 3M if you question the use of this equipment in hazardous environments.
- **HARNESSES FOR HIGH TEMPERATURE ENVIRONMENTS:** Harnesses with Kevlar webbing are designed for use in high temperature environments, with limitations: Kevlar webbing begins to char at 800° to 900° Fahrenheit. Kevlar webbing can withstand limited contact exposure to temperatures up to 1,000° F. Polyester webbing loses strength at 300° to 400° F. PVC coating on hardware has a melting point of approximately 350° F. When working with tools, materials, or in high temperature environments, ensure that associated fall protection equipment can withstand high temperatures, or provide protection for those items.

¹ Capacity: 310 lbs (140 kg) is the maximum capacity allowed by ANSI/ASSE Z359.11. 3M harnesses are factory tested to a maximum capacity of 420 lbs (191 kg).

² Fall Arrest Free Falls: Free falls greater than 6 ft. (1.8 m) may be permitted when users are secured to the anchorage with a connecting subsystem which limits maximum arresting force to 1,800 lbs (8 kN) and is authorized for such use (i.e., DBI-SALA Force 2™ Lanyards).

2.0 SYSTEM USE

- 2.1 RESCUE PLAN:** When using this equipment and connecting subsystem(s), the employer must have a rescue plan and the means at hand to implement and communicate that plan to users³, authorized persons⁴, and rescuers⁵.
- 2.2 INSPECTION FREQUENCY:** The Full Body Harness shall be inspected by the user before each use and by a competent person⁶ other than the user at intervals of no more than one year⁷. Inspection procedures are described in the "Inspection and Maintenance Log". Results of each Competent Person inspection should be recorded on copies of the "Inspection and Maintenance Log" or tracked with a Radio Frequency Identification (RFID) system (see "Inspection").
- 2.3 COMPATIBILITY OF COMPONENTS:** 3M equipment is designed for use with 3M approved components and subsystems only. Substitutions or replacements made with non-approved components or subsystems may jeopardize compatibility of equipment and may effect the safety and reliability of the complete system.

- 2.4 COMPATIBILITY OF CONNECTORS:** Connectors are compatible with connecting elements when they have been designed to work together in such a way that their sizes and shapes do not cause their gate mechanisms to inadvertently open regardless of how they become oriented. Contact Capital Safety if you have any questions about compatibility.

Connectors (hooks, carabiners, and D-Rings) must be capable of supporting at least 5,000 lbs. (22.2 kN). Connectors must be compatible with the anchorage or other system components. Do not use equipment that is not compatible. Non-compatible connectors may unintentionally disengage (See Figure 5). Connectors must be compatible in size, shape, and strength. If the connecting element to which a snap hook (shown) or carabiner attaches is undersized or irregular in shape, a situation could occur where the connecting element applies a force to the gate of the snap hook or carabiner. This force may cause the gate (of either a self-locking or a non-locking snap hook) to open, allowing the snap hook or carabiner to disengage from the connecting point. Self-locking snap hooks and carabiners are required.

- 2.5 MAKING CONNECTIONS:** Use only self-locking snap hooks and carabiners with this equipment. Use only connectors that are suitable for each application. Ensure all connections are compatible in size, shape and strength. Do not use equipment that is not compatible. Ensure all connectors are fully closed and locked.

3M connectors (snap hooks and carabiners) are designed to be used only as specified in each product's user's instructions. See Figure 6 for inappropriate connections. 3M snap hooks and carabiners should not be connected:

- A. To a D-Ring to which another connector is attached.
- B. In a manner that would result in a load on the gate.
- C. In a false engagement, where features that protrude from the snap hook or carabiner catch on the anchor, and without visual confirmation seems to be fully engaged to the anchor point.
- D. To each other.
- E. Directly to webbing or rope lanyard or tie-back (unless the manufacturer's instructions for both the lanyard and connector specifically allows such a connection).
- F. To any object which is shaped or dimensioned such that the snap hook or carabiner will not close and lock, or that roll-out could occur.
- G. In a manner that does not allow the connector to align properly while under load.

- 2.6 CONNECTING SUBSYSTEMS:** Connecting subsystems (self-retracting lifeline, lanyard, rope grab and lifeline, cable sleeve, etc.) must be suitable for your application (See section 1.1). See the subsystem manufacturer's instructions for additional information. Some harness models have web loop connection points. Do not use snap hooks to connect to web loops. Use a self-locking carabiner to connect to a web loop. Ensure the carabiner cannot cross-gate load (load against the gate rather than along the major axis of the carabiner). Some lanyards are designed to choke onto a web loop to provide a compatible connection. Lanyards may be sewn directly to the web loop forming a permanent connection. Do not make multiple connections onto one web loop, unless choking two lanyards onto a properly sized web loop. To choke the lanyard on a web loop (Figure 7): A) Insert the lanyard web loop through the web loop or D-Ring on the harness. B) Insert the appropriate end of the lanyard through the lanyard web loop. C) Pull the lanyard through the connecting web loop to secure.

- 2.7 LANYARD PARKING ATTACHMENT:** Figure 8 illustrates Lanyard Parking Attachments. The Lanyard Parking Attachment is for attaching the free end of a Lanyard or harness mounted Self-Retracting Device when not connected to an Anchorage Connection Point for purposes of fall protection. Lanyard Parking Attachments shall never be used as a Fall Protection Attachment Element.

³ **User:** A person who performs activities at heights while protected by a personal fall protection system.

⁴ **Authorized Person:** A person assigned by the employer to perform duties at a location where the person will be exposed to a fall hazard.

⁵ **Rescuer:** Person or persons other than the rescue subject acting to perform an assisted rescue by operation of a rescue system.

⁶ **Competent Person:** One who is capable of identifying existing and predictable hazards in the surroundings or working conditions which are unsanitary, hazardous, or dangerous to employees, and who has authorization to take prompt corrective measures to eliminate them.

⁷ **Inspection Frequency:** Extreme working conditions (harsh environments, prolonged use, etc.) may require increasing the frequency of competent person inspections.

3.0 HARNESS USE

3.1 **BEFORE EACH USE** of this equipment inspect it according to the *“Inspection and Maintenance Log”* (Table 1).

3.2 **PLAN** your system before use. Consider all factors that will affect your safety during use of this equipment. The following list gives important points to consider when planning your system:

- **Anchorage:** Select an anchorage capable of sustaining the Static Load requirements of the intended fall protection application (see Section 1.1). The anchorage location should address Free Fall, Fall Clearance, Swing Fall, and Environmental limitations described in Section 1.4.
- **Sharp Edges:** Avoid working where system components may be in contact with, or abrade against, unprotected sharp edges.
- **After A Fall:** Components which have been subjected to the forces of arresting a fall must be removed from service and destroyed.
- **Rescue:** The employer must have a rescue plan when using this equipment. The employer must have the ability to perform a rescue quickly and safely.

3.3 **BUCKLES:** Pro 3 Full Body Harnesses are equipped with various Buckles for fastening and adjusting Leg Straps and Chest Straps. Harness Body Belts have a Tongue Buckle. See Figure 1 for the buckle types on your Pro 3 Harness. Figure 9 illustrates operation of each of the following buckles:

1. **Quick Connect Buckles:**

- A. To fasten the Quick Connect Buckle, insert the Tab into the Receptor until a click is heard.
- B. To adjust the attached Web Strap: Pull the Web Strap forward or backward through the Buckle Slot to tighten or loosen.
- C. To release the Quick Connect Buckle: Squeeze the Lock Levers on each side of the Receptor. Pull the Tab out of the Receptor.

2. **Tongue Buckles:** Fasten and adjust Tongue Buckles by passing the Tongue through the Buckle Frame and inserting the Prong through the desired Grommet in the Tongue.

3. **Pass-Thru Buckles:**

- A. Insert the Male Buckle through the slot in the Female Buckle.
- B. Tighten the free strap so the Male Buckle is flush against the Female Buckle. Secure the free strap in the Strap Keeper.

3.4 **ADJUSTMENTS:** Pro 3 Harnesses are equipped with a pair of Torso Adjusters for adjusting the Shoulder Straps. Figure 10 illustrates adjustment of the Torso Adjusters:

1. **Parachute Torso Adjusters:** To adjust the Shoulder Straps with the Parachute Torso Adjusters:

- A. Pull on the free strap to tighten the Shoulder Strap. To loosen the Shoulder Strap, pull on the free strap and then back the strap through the Parachute Adjuster.
- B. When properly adjusted, secure the free strap in the Strap Keeper.

3.5 **PERSONAL SRD LOOP:** Some Pro 3 Full Body Harnesses are equipped with a Personal SRD Loop that integrates the Dorsal D-Ring with attachment elements for Harness-Mounted Self-Retracting Devices (SRDs). Figure 11 illustrates attachment of the following 3M Self-Retracting Devices: (A) Nano-Lok™ Edge SRDs, (B) Twin Nano-Lok™ SRDs, (C) Single Nano-Lok™ SRDs, (D) Rebel™ SRDs. Other manufacturers' SRDs can also be mounted on the Pro 3 Harness in similar fashion. See the SRD manufacturer's instructions for requirements and installation instructions specific to the SRD.

Contact 3M with any questions or concerns regarding compatibility of your SRD with the Personal SRD Loop.

3.6 **DONNING AND FITTING THE PRO 3 FULL BODY HARNESS:** Figure 16 illustrates donning and fitting of the Pro 3 Full Body Harness. Prior to each use, inspect the harness per the checklist on the *“Inspection and Maintenance Log”* (Table 1)*. To don and fit the harness:

Procedures for buckling and adjusting the straps on you Pro 3 Harness will vary with the harness model. See Sections 3.3 thru 3.4 and Figures 9 thru 10 for details.

1. Lift up and hold the harness by the back Dorsal D-Ring. Ensure the straps are not twisted.
2. Grasp the Shoulder Straps and slip the harness onto one arm. The Dorsal D-Ring will be located on your back side. Ensure that the straps are not tangled and hang freely. Slip your free arm into the harness and position the Shoulder Straps on top of your shoulders. The Chest Strap and Chest Buckle will be positioned on the front side when worn properly.
3. Reach between your legs and grasp the Leg Strap on your right side. Bring the strap up between your legs; buckle to the mating buckle on your right hip, and adjust the Leg Strap for a snug comfortable fit (see Section 3.3 for buckle operation). When properly adjusted, tuck the loose end of the Leg Strap under the Strap Keeper.

Repeat this process to buckle and adjust the left Leg Strap.

4. Adjust and buckle the Tongue Buckle Waist Belt if present. (see Section 3.3 for Tongue Buckle operation).

5. Buckle and adjust the Chest Strap (see Section 3.3 for buckle operation). The Chest Strap should be 6 in. (15 cm) down from the top of your shoulders. When properly adjusted, tuck the loose end of the Chest Strap under the Strap Keeper.
6. Adjust the Shoulder Straps for a Snug Fit with the Torso Adjusters (see Section 3.4 for Torso Adjuster operation). Left and right sides of Shoulder Straps should be adjusted to the same length and the Chest Strap should be centered on your lower chest, 6 in. (15 cm) down from the shoulders. The back Dorsal D-Ring should be centered between your Shoulder Blades. The front Sternal D-Ring, if present, should be located laterally within 2 in. (51 mm) of the vertical centerline of the harness.

3.7 USE OF FALL ARREST D-RING OR ATTACHMENT ELEMENT: For Fall Arrest applications connect to the Dorsal D-ring or attachment element on your back, between your shoulder blades. Side D-rings, if present, are for Positioning or Restraint applications only. Shoulder D-rings are for Rescue or Retrieval applications only. The front Sternal D-ring is for Ladder Climbing or Positioning. D-rings on a Suspension Seat are for Suspension or Positioning applications only. (See Section 1.1.).

3.8 MAKING CONNECTIONS: When using a hook to connect to an anchorage or when coupling components of the system together, ensure roll-out cannot occur. Roll-out occurs when interference between the hook and mating connector causes the hook gate to unintentionally open and release. Self-locking snap hooks and carabiners should be used to reduce the possibility of roll-out. Do not use hooks or connectors that will not completely close over the attachment object. See subsystem manufacturer's instructions for more information on making connections.

3.9 CONNECTING SYSTEM COMPONENTS: After fitting the Pro 3 Harness the user may then connect to other system components. Follow the guidelines in Section 2 and the manufacturer's instructions included with the component.

4.0 INSPECTION

4.1 INSPECTION FREQUENCY: The Pro 3 Full Body Harness must be inspected at the intervals defined in Section 2.2. Inspection procedures are described in the *"Inspection and Maintenance Log"* (Table 1).

4.2 DEFECTS: If inspection reveals a defective condition, remove the harness from service immediately and destroy.

4.3 PRODUCT LIFE: The functional life of Pro 3 Harnesses is determined by work conditions and maintenance. As long as the product passes inspection criteria, it may remain in service.

5.0 MAINTENANCE, SERVICING, STORAGE

5.1 CLEANING INSTRUCTIONS: Clean the Pro 3 Full Body Harness as follows:

1. Spot clean the harness with water and a mild soap solution.

Use a bleach-free detergent when washing the harness and pads. Fabric softener or dryer sheets **SHOULD NOT** be used when laundering and drying the harness and pads.

2. Water temperature for wash and rinse must not exceed 160° F (70° C).
3. The harness and pads may be air dried or tumble dried on low heat not exceeding 200° F (90° C).

More information on cleaning is available from 3M. If you have questions concerning the condition of your harness, or have any doubt about putting it into service, contact 3M.

5.2 AUTHORIZED SERVICE: Additional maintenance and servicing procedures must be completed by a factory authorized service center. Authorization must be in writing. Do not attempt to disassemble the unit.

5.3 STORAGE AND TRANSPORT: Store and transport the Pro 3 Full Body Harness in a cool, dry, clean environment out of direct sunlight. Avoid areas where chemical vapors may exist. Thoroughly inspect the harness after extended storage.

6.0 LABELING:

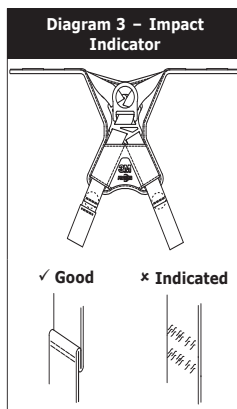
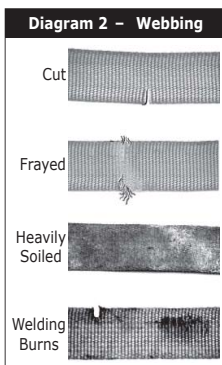
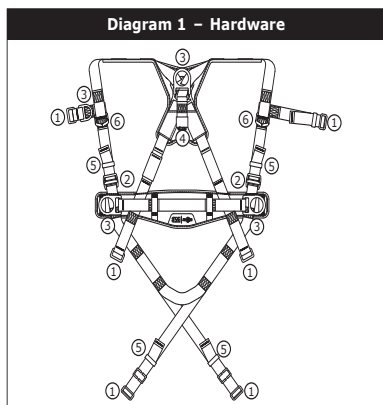
Figure 13 illustrates product labels and their location on the Pro 3 Full Body Harness. All labeling must be present and fully legible.

Table 1 – Inspection and Maintenance Log

Serial Number(s):	Date Purchased:
Model Number:	Date of First Use:

Inspection Date: _____ **Inspected By:** _____

Component:	Inspection: (See Section 2.2 for Inspection Frequency)	User	Competent Person
Harness Hardware (Diagram 1)	Inspect harness hardware including buckles (1), adjusters (2), D-rings (3), PSRL Loop (4), loop keepers (5), lanyard parking (6), etc. These items must not be damaged, broken, or distorted, and must be free of sharp edges, burns, cracks, worn parts, or corrosion. PVC coated hardware must be free of cuts, rips, tears, holes, etc. in the coating to ensure non-conductivity. Ensure buckles and adjusters work smoothly.	<input type="checkbox"/>	<input type="checkbox"/>
Webbing & Stitching (Diagram 2)	Inspect webbing; material must be free of frayed, cut, or broken fibers. Check for tears, abrasions, mold, burns, or discoloration. Inspect stitching; Check for pulled or cut stitches. Broken stitches may be an indication that the harness has been impact loaded and must be removed from service.	<input type="checkbox"/>	<input type="checkbox"/>
Stitched Impact Indicators (Diagram 3)	The Stitched Impact Indicators are sections of webbing lapped back on themselves and secured with a specific stitch pattern. The stitch pattern is designed to release when the harness arrests a fall or is exposed to equivalent force. If an Impact Indicator has been activated (indicated), the harness must be removed from service and destroyed.	<input type="checkbox"/>	<input type="checkbox"/>
Labels	All labels should be present and fully legible. See Figure 16.	<input type="checkbox"/>	<input type="checkbox"/>
System & Subsystem Components	Inspect each system component or subsystem according to the manufacturer's instructions.	<input type="checkbox"/>	<input type="checkbox"/>



Corrective Action/Maintenance:	Approved By: _____ Date: _____
Corrective Action/Maintenance:	Approved By: _____ Date: _____
Corrective Action/Maintenance:	Approved By: _____ Date: _____
Corrective Action/Maintenance:	Approved By: _____ Date: _____
Corrective Action/Maintenance:	Approved By: _____ Date: _____
Corrective Action/Maintenance:	Approved By: _____ Date: _____
Corrective Action/Maintenance:	Approved By: _____ Date: _____
Corrective Action/Maintenance:	Approved By: _____ Date: _____
Corrective Action/Maintenance:	Approved By: _____ Date: _____

① **NOTE:** These are general requirements and information provided by ANSI/ASSE Z359, the Manufacturer of this equipment may impose more stringent restrictions on the use of the products they manufacture, see the Manufacturer's instructions.

1. It is essential that the users of this type of equipment receive proper training and instruction, including detailed procedures for the safe use of such equipment in their work application. ANSI/ASSE Z359.2, Minimum Requirements for a Comprehensive Managed Fall Protection Program, establishes guidelines and requirements for an employer's managed fall protection program, including policies, duties and training; fall protection procedures; eliminating and controlling fall hazards; rescue procedures; incident investigations; and evaluating program effectiveness.
2. Correct fit of a Full Body Harness is essential to proper performance. Users must be trained to select the size and maintain the fit of their Full Body Harness.
3. Users must follow manufacturer's instructions for proper fit and sizing, paying particular attention to ensure that buckles are connected and aligned correctly, leg straps and shoulder straps are kept snug at all times, chest straps are located in the middle chest area and leg straps are positioned and snug to avoid contact with the genitalia should a fall occur.
4. Full Body Harnesses which meet ANSI/ASSE Z359.11 are intended to be used with other components of a Personal fall Arrest system that limit maximum arrest forces to 1800 pounds (8 kn) or less.
5. Suspension intolerance, also called suspension trauma or orthostatic intolerance, is a serious condition that can be controlled with good harness design, prompt rescue and post fall suspension relief devices. A conscious user may deploy a suspension relief device allowing the user to remove tension from around the legs, freeing blood flow, which can delay the onset of suspension intolerance. An attachment element extender is not intended to be attached directly to an anchorage or anchorage connector for fall arrest. An energy absorber must be used to limit maximum arrest forces to 1800 pounds (8 kn). The length of the attachment element extender may affect free fall distances and free fall clearance calculations.
6. Full Body Harness (FBH) Stretch, the amount the FBH component of a personal fall arrest system will stretch and deform during a fall, can contribute to the overall elongation of the system in stopping a fall. It is important to include the increase in fall distance created by FBH Stretch, as well as the FBH connector length, the settling of the user's body in the FBH and all other contributing factors when calculating total clearance required for a particular fall arrest system.
7. When not in use, unused lanyard legs that are still attached to a Full Body Harness D-Ring should not be attached to a work positioning element or any other structural element on the Full Body Harness unless deemed acceptable by the competent person and manufacturer of the lanyard. This is especially important when using some types of "y" style lanyards, as some load may be transmitted to the user through the unused lanyard leg if it is not able to release from the harness. The lanyard parking attachment is generally located in the sternal area to help reduce tripping and entanglement hazards.
8. Loose ends of straps can get caught in machinery or cause accidental disengagement of an adjuster. All Full Body Harnesses shall include keepers or other components which serve to control the loose ends of straps.
9. Due to the nature of soft loop connections, it is recommended that soft loop attachments only be used to connect with other soft loops or carabiners. Snaphooks should not be used unless approved for the application by the manufacturer.

Sections 10-16 provide additional information concerning the location and use of various attachments that may be provided on this FBH.

- 10. Dorsal** – the dorsal attachment element shall be used as the primary fall arrest attachment, unless the application allows the use of an alternate attachment. The dorsal attachment may also be used for travel restraint or rescue. When supported by the dorsal attachment during a fall, the design of the Full Body Harness shall direct load through the shoulder straps supporting the user, and around the thighs. Supporting the user, post fall, by the dorsal attachment will result in an upright body position with a slight lean to the front with some slight pressure to the lower chest. Considerations should be made when choosing a sliding versus fixed dorsal attachment element. Sliding dorsal attachments are generally easier to adjust to different user sizes, and allow a more vertical rest position post fall, but can increase FBH Stretch.
- 11. Sternal** – the sternal attachment may be used as an alternative fall arrest attachment in applications where the dorsal attachment is determined to be inappropriate by a competent person, and where there is no chance to fall in a direction other than feet first. Accepted practical uses for a sternal attachment include, but are not limited to, ladder climbing with a guided type fall arrester, ladder climbing with an overhead self-retracting lifeline for fall arrest, work positioning and rope access. The sternal attachment may also be used for travel restraint or rescue.

When supported by the sternal attachment during a fall, the design of the Full Body Harness shall direct load through the shoulder straps supporting the user, and around the thighs. Supporting the user, post fall, by the sternal attachment will result in roughly a sitting or cradled body position with weight concentrated on the thighs, buttocks and lower back. Supporting the user during work positioning by this sternal attachment will result in an approximate upright body position.

If the sternal attachment is used for fall arrest, the competent person evaluating the application should take measures to ensure that a fall can only occur feet first. This may include limiting the allowable free fall distance. It may be possible for a sternal attachment incorporated into an adjustable style chest strap to cause the chest strap to slide up and possibly choke the user during a fall, extraction, suspension, etc. The competent person should consider Full Body Harness models with a fixed sternal attachment for these applications.

- 12. Frontal** – the frontal attachment serves as a ladder climbing connection for guided type fall arresters where there is no chance to fall in a direction other than feet first, or may be used for work positioning. Supporting the user, post fall or during work positioning, by the frontal attachment will result in a sitting body position, with the upper torso upright, with weight concentrated on the thighs and buttocks. When supported by the frontal attachment the design of the Full Body Harness shall direct load directly around the thighs and under the buttocks by means of the sub-pelvic strap.
- if the frontal attachment is used for fall arrest, the competent person evaluating the application should take measures to ensure that a fall can only occur feet first. This may include limiting the allowable free fall distance.
- 13. Shoulder** – the shoulder attachment elements shall be used as a pair, and are an acceptable attachment for rescue and entry/retrieval. the shoulder attachment elements shall not be used for fall arrest. it is recommended that the shoulder attachment elements be used in conjunction with a yoke which incorporates a spreader element to keep the Full Body Harness shoulder straps separate.
- 14. Waist, Rear** – the waist, rear attachment shall be used solely for travel restraint. the waist, rear attachment element shall not be used for fall arrest. Under no circumstances is it acceptable to use the waist, rear attachment for purposes other than travel restraint. the waist, rear attachment shall only be subjected to minimal loading through the waist of the user, and shall never be used to support the full weight of the user.
- 15. Hip** – the hip attachment elements shall be used as a pair, and shall be used solely for work positioning. the hip attachment elements shall not be used for fall arrest. Hip attachments are often used for work positioning by arborists, utility workers climbing poles and construction workers tying rebar and climbing on form walls. Users are cautioned against using the hip attachment elements (or any other rigid point on the Full Body Harness) to store the unused end of a fall arrest lanyard, as this may cause a tripping hazard, or, in the case multiple leg lanyards, could cause adverse loading to the Full Body Harness and the wearer through the unused portion of the lanyard.
- 16. Suspension Seat** – the suspension seat attachment elements shall be used as a pair, and shall be used solely for work positioning. the suspension seat attachment elements shall not be used for fall arrest. Suspension seat attachments are often used for prolonged work activities where the user is suspended, allowing the user to sit on the suspension seat formed between the two attachment elements. An example of this use would be window washers on large buildings.

User Inspection, Maintenance, and Storage of Equipment

Users of personal fall arrest systems shall, at a minimum, comply with all manufacturer instructions regarding the inspection, maintenance and storage of the equipment. the user's organization shall retain the manufacturer's instructions and make them readily available to all users. See ANSI/ASSE Z359.2, Minimum Requirements for a Comprehensive Managed Fall Protection Program, regarding user inspection, maintenance and storage of equipment.

1. In addition to the inspection requirements set forth in the manufacturer's instructions, the equipment shall be inspected by the user before each use and, additionally, by a competent person, other than the user, at interval of no more than one year for:
 - **Absence** or illegibility of markings.
 - **Absence** of any elements affecting the equipment form, fit or function.
 - **Evidence** of defects in, or damage to, hardware elements including cracks, sharp edges, deformation, corrosion, chemical attack, excessive heating, alteration and excessive wear.
 - **Evidence** of defects in or damage to strap or ropes including fraying, unsplicing, unlaying, kinking, knotting, roping, broken or pulled stitches, excessive elongation, chemical attack, excessive soiling, abrasion, alteration, needed or excessive lubrication, excessive aging and excessive wear.
2. Inspection criteria for the equipment shall be set by the user's organization. Such criteria for the equipment shall equal or exceed the criteria established by this standard or the manufacturer's instructions, whichever is greater.
3. When inspection reveals defects in, damage to, or inadequate maintenance of equipment, the equipment shall be permanently removed from service or undergo adequate corrective maintenance, by the original equipment manufacturer or their designate, before return to service.

Maintenance and Storage

1. Maintenance and storage of equipment shall be conducted by the user's organization in accordance with the manufacturer's instructions. Unique issues, which may arise due to conditions of use, shall be addressed with the manufacturer.
2. Equipment which is in need of, or scheduled for, maintenance shall be tagged as unusable and removed from service.
3. Equipment shall be stored in a manner as to preclude damage from environmental factors such as temperature, light, UV, excessive moisture, oil, chemicals and their vapors or other degrading elements.

ADDITIONAL HARNESS MODELS:

Additional Protecta Harness models not listed in Figure 1, but covered by this Instruction Manual are as follows:

1191200	1191230	1191258C	1191289	1191369	1191521	AB11125	AB15522
1191200C	1191230C	1191259	1191290	1191370	1191522	AB11212	AB15523
1191201	1191231	1191259C	1191295H	1191371	1191523	AB11213	AB15524
1191201C	1191231C	1191260	1191296H	1191372	1191524	AB11214	AB15622
1191201CH	1191231CH	1191260C	1191297H	1191379	1191525	AB114125	AB15623
1191201H	1191232	1191261	1191298	1191380	1191526	AB114135	AB15624
1191202	1191232C	1191261C	1191299	1191381	1191527	AB114135OTE	AB17510-3XL
1191202C	1191233	1191262	1191300	1191382	1191528	AB114145	AB17510-XL
1191203	1191233C	1191262C	1191301	1191383	1191529	AB115125	AB17510-XXL
1191203C	1191234	1191263	1191302	1191384	1191530	AB115135	AB17532
1191203CH	1191234C	1191263C	1191303	1191384H	1191531	AB115145	AB17536
1191204	1191235	1191264	1191304	1191385	1191539	AB118121	AB17540-XL
1191204C	1191235C	1191264C	1191307	1191386	1191540	AB118131	AB17550
1191205	1191236	1191265	1191310H	1191387	1191570	AB118141	AB17550-XL
1191205C	1191236C	1191265C	1191311	1191388	1191571	AB118151	AB17560
1191205CH	1191237	1191266	1191311H	1191389	1191572	AB13012	AB17560-XL
1191206	1191237C	1191266C	1191312	1191390	1191573	AB13013	AB17610
1191206C	1191237CH	1191267	1191313	1191391	1191574	AB13013018	AB17611
1191207	1191237H	1191267C	1191314	1191392	1191575	AB13014	AB21012
1191207C	1191238	1191268	1191315	1191393	1191576	AB13023007	AB21012018
1191208	1191238C	1191268C	1191316	1191395	1191577	AB13023009	AB21013
1191208H	1191238CH	1191269	1191317	1191396	1191578	AB13023010	AB21013018
1191209	1191238H	1191270	1191318	1191397	1191579	AB13024009	AB21014
1191209H	1191239	1191270H	1191319	1191398	1191580	AB13024010	AB21014018
1191210	1191239CH	1191271	1191320	1191405	1191581	AB13025009	AB21015
1191210H	1191239H	1191271H	1191321	1191406	1191582	AB13122	AB21022005
1191211	1191240	1191272	1191326	1191406H	1191586H	AB13123	AB21023004
1191212CH	1191240C	1191272C	1191332	1191407	1191587H	AB13123010	AB21023005
1191212H	1191241	1191273	1191333	1191407H	1191588H	AB13124	AB21024004
1191213CH	1191241C	1191273C	1191334	1191408	1191589H	AB13222	AB21024005
1191213H	1191241CH	1191273CH	1191335	1191408H	1191997	AB13223	AB21122
1191214CH	1191242	1191274	1191336	1191409	1310075H	AB13224	AB21123
1191214H	1191242C	1191274C	1191337	1191409H	AB10112	AB13312	AB21124
1191215	1191242CH	1191274CH	1191338	1191410	AB10113	AB13313	AB21125
1191215C	1191243	1191275	1191339	1191412C	AB10113017	AB13314	AB21162013
1191216	1191243C	1191275C	1191340	1191426C	AB10113H	AB13422	AB21163013
1191216C	1191243CH	1191276	1191341	1191427C	AB10114	AB13423	AB21164013
1191216CH	1191243H	1191276C	1191342	1191428C	AB10114017	AB13424	AB23312
1191217	1191244CH	1191277	1191343	1191443	AB10115	AB140121	AB23313
1191217C	1191252	1191277C	1191344	1191448	AB10115017	AB140131	AB23314
1191218	1191252C	1191278	1191345	1191449	AB10312	AB14013118	AB240121
1191218C	1191252CH	1191278C	1191346	1191450	AB10313	AB140141	AB240131
1191219C	1191252H	1191279	1191348	1191478CH	AB10314	AB14014118	AB24013118
1191220C	1191253	1191279C	1191350H	1191502	AB104121	AB140151	AB240141
1191221C	1191253C	1191280	1191352	1191503	AB104125	AB14023111	AB24014118
1191222C	1191253CH	1191280C	1191354H	1191504	AB104131	AB15012	AB25012
1191223	1191253H	1191281	1191355H	1191505	AB104135	AB15013	AB25013
1191223C	1191254	1191281C	1191356	1191510	AB104141	AB15014	AB25014
1191224	1191254C	1191282CH	1191358	1191511	AB104145	AB15015	AB25113
1191224C	1191254CH	1191283	1191359	1191512	AB104151	AB15112	AB260126
1191225	1191254H	1191283C	1191360CH	1191513	AB105125	AB15113	AB260136
1191225C	1191255	1191284	1191361CH	1191514	AB105135	AB15113018	AB260146
1191226	1191255C	1191284C	1191362CH	1191515	AB105145	AB15114	
1191226H	1191256	1191285	1191363CH	1191516	AB11122	AB15114018	
1191227	1191256C	1191285C	1191364CH	1191517	AB11123	AB15115	
1191227H	1191257	1191286	1191365CH	1191518	AB11123006	AB15115018	
1191228	1191257C	1191287	1191366	1191519	AB11123018	AB15123007	
1191229	1191258	1191288	1191367	1191520	AB11124	AB15123008	

U.S. PRODUCT WARRANTY, LIMITED REMEDY AND LIMITATION OF LIABILITY

WARRANTY: THE FOLLOWING IS MADE IN LIEU OF ALL WARRANTIES OR CONDITIONS, EXPRESS OR IMPLIED, INCLUDING THE IMPLIED WARRANTIES OR CONDITIONS OF MERCHANTABILITY OR FITNESS FOR A PARTICULAR PURPOSE.

Unless otherwise provided by applicable law, 3M fall protection products are warranted against factory defects in workmanship and materials for a period of one year from the date of installation or first use by the original owner.

LIMITED REMEDY: Upon written notice to 3M, 3M will repair or replace any product determined by 3M to have a factory defect in workmanship or materials. 3M reserves the right to require product be returned to its facility for evaluation of warranty claims. This warranty does not cover product damage due to wear, abuse, misuse, damage in transit, failure to maintain the product or other damage beyond 3M's control. 3M will be the sole judge of product condition and warranty options.

This warranty applies only to the original purchaser and is the only warranty applicable to 3M's fall protection products. Please contact 3M's customer service department at 800-328-6146 or via email at 3MFallProtection@mmm.com for assistance.

LIMITATION OF LIABILITY: TO THE EXTENT PERMITTED BY APPLICABLE LAW, 3M IS NOT LIABLE FOR ANY INDIRECT, INCIDENTAL, SPECIAL OR CONSEQUENTIAL DAMAGES INCLUDING, BUT NOT LIMITED TO LOSS OF PROFITS, IN ANY WAY RELATED TO THE PRODUCTS REGARDLESS OF THE LEGAL THEORY ASSERTED.



Fall Protection

USA

3833 SALA Way
Red Wing, MN 55066-5005
Toll Free: 800.328.6146
Phone: 651.388.8282
Fax: 651.388.5065
3Mfallprotection@mmm.com

Brazil

Rua Anne Frank, 2621
Boqueirão Curitiba PR
81650-020
Brazil
Phone: 0800-942-2300
falecoma3m@mmm.com

Mexico

Calle Norte 35, 895-E
Col. Industrial Vallejo
C.P. 02300 Azcapotzalco
Mexico D.F.
Phone: (55) 57194820
mexico@capitalsafety.com

Colombia

Compañía Latinoamericana de Seguridad S.A.S.
Carrera 106 #15-25 Interior 105 Manzana 15
Zona Franca - Bogotá, Colombia
Phone: 57 1 6014777
fallprotection-co@mmm.com

Canada

260 Export Boulevard
Mississauga, ON L5S 1Y9
Phone: 905.795.9333
Toll-Free: 800.387.7484
Fax: 888.387.7484
3Mfallprotection-ca@mmm.com

EMEA (Europe, Middle East, Africa)

EMEA Headquarters:
5a Merse Road
North Moons Moat
Redditch, Worcestershire
B98 9HL UK
Phone: + 44 (0)1527 548 000
Fax: + 44 (0)1527 591 000
informationfallprotection@mmm.com

France:

Le Broc Center
Z.I. 1re Avenue - BP15
06511 Carros Le Broc Cedex
France
Phone: + 33 04 97 10 00 10
Fax: + 33 04 93 08 79 70
informationfallprotection@mmm.com

Australia & New Zealand

95 Derby Street
Silverwater
Sydney NSW 2128
Australia
Phone: + (61) 2 8753 7600
Toll-Free: 1800 245 002 (AUS)
Toll-Free: 0800 212 505 (NZ)
Fax: + (61) 2 8753 7603
anzfallprotectionsales@mmm.com

Asia

Singapore:
1 Yishun Avenue 7
Singapore 408731
Phone: +65 - 65587758
Fax: +65 - 65587058
totalfallprotectio@mmm.com

Shanghai:

19/F, LAvenue, No.99 Xian Xia Rd
Shanghai 200051, P.R China
Phone: +86 21 62539050
Fax: +86 21 62539060
3MFallProtection-CN@mmm.com

3M.com/FallProtection

